

**Specifications**

	NP-UM351W	NP-UM301W	NP-UM361X	NP-UM301X
Projector type	3 LCD type			
LCD Panel	0.59 inch LCD with MLA		0.63 inch LCD with MLA	
Resolution <sup>1</sup>	1280 x 800 pixels		1024 x 768 pixels	
Lens	Manual Focus F= 1.80, f= 4.78 mm			
Light source (Lamp)	ECO mode	160 W	140 W	140 W
	Normal ECO mode	200 W	170 W	170 W
	ECO mode off	255 W	235 W	235 W
Lamp life <sup>2</sup>	ECO mode	6,000 H	8,000 H	8,000 H
	Normal ECO mode	5,000 H	5,000 H	5,000 H
	ECO mode off	3,800 H	4,000 H	4,000 H
Filter life	Same as lamp life			
Image size	58 to 110 inches		61.5 to 116.6 inches	
Light output <sup>3,4</sup>	ECO mode off	3,500 ANSI lumens	3,000 ANSI lumens	3,000 ANSI lumens
	Normal ECO mode	Approx. 80 % of ECO off	Approx. 75 % of ECO off	Approx. 75 % of ECO off
	ECO mode	Approx. 60 % of ECO off		
Contrast ratio (white / black) <sup>4</sup>	4,000:1 with Iris		6,000:1 with Iris	
Maximum resolution	Up to WUXGA (1920 x 1200) with Advanced AccuBlend			
Scan rate	Horizontal	15 kHz to 100 kHz ( RGB: 24 kHz or over)		
	Vertical	50 Hz to 120 Hz		
Keystone correction	Horizontal	Manual:± Max 10 degrees		
	Vertical	Manual:± Max 10 degrees		
Input terminals	Computer	Mini D-sub 15 pin x 1		
	Audio	Stereo mini jack x 1		
	Video	RCA x 1		
	Audio	(L/R) RCA x 1		
	HDMI	HDMI x 2		
	Mic	Mini jack x 1		
Output terminals		Mini D-sub 15 pin x 1		
	Audio	Stereo mini jack x 1		
Wired LAN port	RJ- 45 (10BASE-T / 100BASE-TX) x 1			
Wireless LAN port	Yes (USB type A)			
Control terminals	D-sub 9 pin x 1			
USB port (for USB display)	Type A x 1, (type B x 1)			
Built-in speaker	20 W monaural			
Usage environment	Operational temperature	5 °C to 40 °C, 20 % to 80 % humidity (no condensation) ([ECO MODE] is set automatically to [ON] at 35°C to 40°C)		
	Storage temperature	-10 °C to 50 °C, 20 % to 80 % humidity (no condensation)		
Power requirement	100 to 240 V AC, 50 Hz / 60 Hz			
Power consumption (100 to 130 V AC / 200 to 240 V AC)	Input current	3.8 A to 1.6 A	3.5 A to 1.5 A	3.8 A to 1.6 A
	ECO mode off	337 W / 324 W	297 W / 285 W	337 W / 324 W
	Normal ECO mode	265 W / 257 W	234 W / 227 W	265 W / 257 W
	ECO mode	221 W / 214 W	196 W / 190 W	221 W / 214 W
	Standby (Network)	2.1 W / 2.4 W		
Standby (Normal)	0.2 W / 0.4 W			
Calorific value (100 - 130 V / 200 - 240 V)	1150 BTU / 1106 BTU	1013 BTU / 973 BTU	1150 BTU / 1106 BTU	1013 BTU / 973 BTU
Net dimensions (W x H x D)	378 x 112 x 428 mm (not including protrusions)			
Weight	5.6 kg	5.5 kg	5.6 kg	5.5 kg
Gross dimensions (W x H x D)	591 x 259 x 491 mm			
Gross weight	8.6 kg	8.5 kg	8.6 kg	8.5 kg
Accessories	Power cord, remote control, batteries, cable cover, signal cable, CD-ROM (User's manual / Utility software), Quick setup guide, Important information, security sticker			

<sup>1</sup> : Effective pixels are more than 99.99%.  
<sup>2</sup> : The average time span for the brightness of the lamp to be reduced by half; does not refer to the warranty period for the lamp.  
<sup>3</sup> : This is the light output value (ANSI lumens) when the [PRESET] mode is set to [HIGH-BRIGHT]. If any other mode is selected as the [PRESET] mode, the light output value may drop slightly.  
<sup>4</sup> : Compliant with ISO21118-2005

**Options**

Replacement lamp  
**NP33LP** (for UM351W / UM361X)  
**NP32LP** (for UM301W / UM301X)



Wall mount kit **NP04WK**

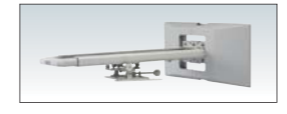
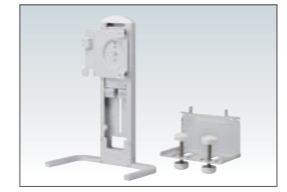


Table projection unit **NP01TK**



Interactive unit **NP03Wi**



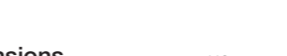
Stylus pen **NP02Pi**



Mouse receiver **NP01MR**

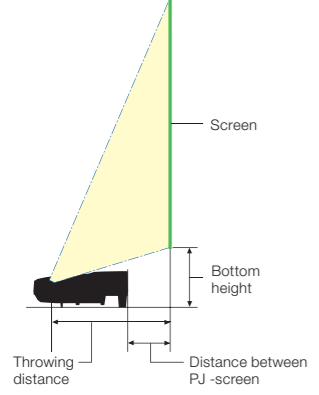


Wireless LAN module **NP05LM1-5\***



\*Authentication countries depends on the last digit

**Throw Distance and Screen Size**



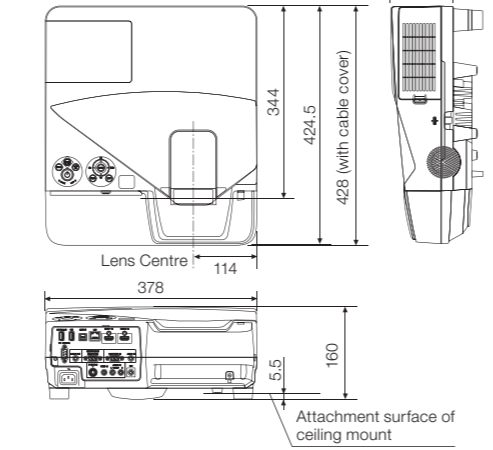
UM351W / UM301W (Aspect ratio 16:10)			
Screen size (H x V m)	Throwing distance (cm)	Bottom height (cm)	Distance bet. PJ - screen (cm)
58" (1.25x0.78)	44.8	23.9	10.5
60" (1.29x0.81)	46.4	24.4	12.0
70" (1.51x0.94)	54.2	26.7	19.8
80" (1.72x1.08)	62.0	29.1	27.6
90" (1.94x1.21)	69.8	31.5	35.4
100" (2.15x1.35)	77.6	33.9	43.2
110" (2.37x1.48)	85.4	36.3	51.0

UM361X / UM301X (Aspect ratio 4:3)			
Screen size (H x V m)	Throwing distance (cm)	Bottom height (cm)	Distance bet. PJ - screen (cm)
61.5" (1.25x0.94)	44.8	23.8	10.5
70" (1.42x1.07)	51.1	25.7	16.8
80" (1.63x1.22)	58.5	28.0	24.1
90" (1.83x1.37)	65.8	30.2	31.5
100" (2.03x1.52)	73.2	32.5	38.8
110" (2.24x1.68)	80.5	34.7	46.2
116.6" (2.37x1.78)	85.4	36.2	51.0

The values in the tables are design values and may vary.

**Cabinet Dimensions**



- Do not stare into the lens in use.
- The projector can be unplugged during its cool down period after it is turned off. Parts of the projector will become heated during operation. Use caution when picking up the projector immediately after it has been operating.

Microsoft is a registered trademark or trademark of Microsoft Corporation in the United States and/or other countries. The terms HDMI and HDMI High-Definition Multimedia Interface, and the HDMI Logo are trademarks or registered trademarks of HDMI Licensing LLC in the United States and other countries. MHL and the MHL logo are trademarks, registered trademarks or service marks of MHL, LLC in the United States and/or other countries. CRESTRON and CRESTRON ROOMVIEW are trademarks or registered trademarks of Crestron Electronics, Inc. Trademark PJLink is a trademark applied for trademark right in the United States of America and other countries. NaViSet is a trademark or registered trademark of NEC Display Solutions, Ltd. in Japan, the United States and other countries. All other trademarks are the property of their respective owners. The images in this brochure are samples. All rights reserved. All specifications are subject to change without notice. June 2015

<http://www.nec-display.com/ap/>

# Ultra short throw projector UM351W/UM301W/UM361X/UM301X

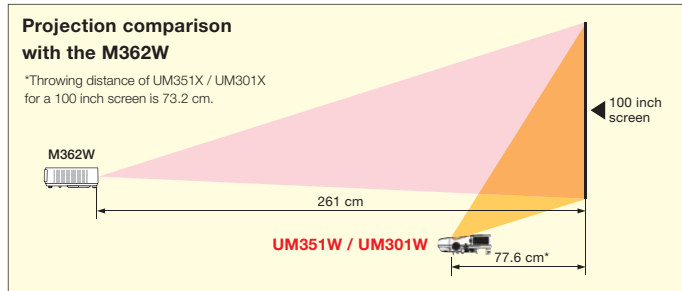


Less shadow and glare give the presenter more space to engage with audience and enhance the experience with interactive white boards

# Enjoy great performance and flexibility, the new UM Series includes advanced features without compromising on quality.

## Ultra short throw projection optimal for classrooms and meeting areas

Thanks to the ultra short throw lens, the UM351W / UM301W can project a large screen of 100 inches at a distance of only 77.6 cm. (the distance from screen side of projector to screen is 43.2 cm) Shadows do not easily form even when someone stands in front of the projector, making it suitable for classrooms, small meeting areas, shop windows, and a wide variety of other locations if installed on the wall or the ceiling.



## A light output of 3,600 ANSI lumens\*, the highest in its category

Projects a sharp image even in bright rooms thanks to its light output of 3,600 ANSI lumens, the best performance of its category.

\*1:When ECO mode off is selected in UM361X

## Accessory cable cover

The terminals are placed in the screen side of the projector and are protected with a cable cover. The cover keeps cables tidy.



## Get Connected with a Wide Selection of Inputs and Outputs

### USB display function

Using a commercially available USB cable (compatible with USB 2.0 specifications) to connect the computer with the projector allows you to send your computer screen image and sound to the projector without the need of traditional computer cables. (USB cable not supplied)

### USB Viewer

The projector also has a viewer function that lets you project images (JPEG) stored on USB memory, so you can give presentations without a computer.

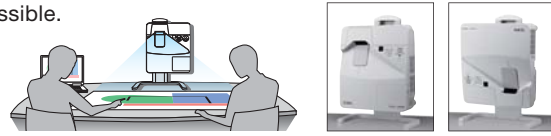
## Optional interactive solution

This interactive unit provides extensive drawing functionality to the projector and allows characters and drawings to be projected on the screen while making a presentation, which can be saved to your computer. It is possible to mount this unit on the body of the projector, which means that it can be used not only when the projector is mounted on a wall, but also when it is placed on a table. It can also reduce shadow and/or glare on the image for audience.



## Table projection

For unique applications, projecting images onto a table, floor or ceiling is possible.



With optional table projection unit NP01TK

## 20 W speaker helps enable effective use of a microphone

A built-in monaural speaker with powerful 20 W output provides excellent sound even in classrooms and conference rooms. This projector also comes with a microphone input, allowing voice to be projected via the internal speaker.



## Equipped with a high-performance filter to provide superior dust-proofing



## Dual HDMI inputs and MHL

Among the wide selection of inputs are dual HDMI inputs with HDCP for connecting to high-definition sources such as Blu-ray players, cable boxes, satellite receivers and personal computers. One of them supports MHL (Mobile High-definition Link), to project videos and photos on a connected smart phone or a tablet.

## Variable audio-out

This function enables the remote control to be used to adjust volume of self-powered external speakers that are connected to the projector.

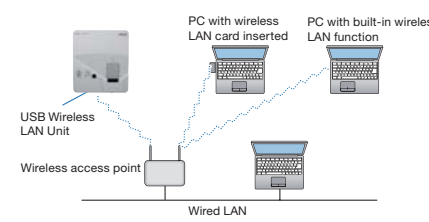
## Advanced Networking Capabilities

### Image Express Utility Lite

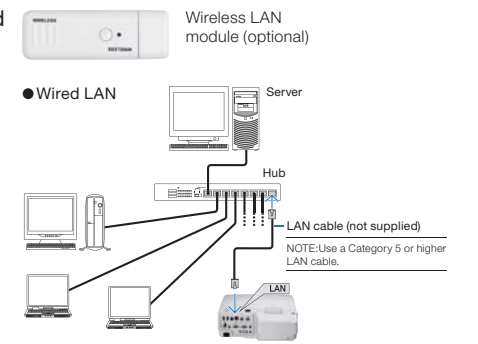
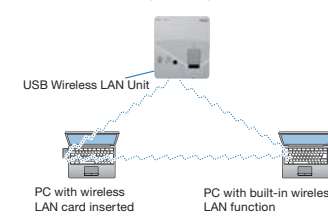
Using Image Express Utility Lite contained on the supplied NEC Projector CD-ROM provides wired and wireless data and audio transmission via a peer-to-peer connection or over the network.

Examples

#### Wireless LAN (Infrastructure)



#### Wireless LAN (Ad Hoc)



### Wireless Image Utility

Wireless Image Utility (WIU) can send images and documents directly from your iOS or Android devices such as iPad, iPhone and Android tablet, which enables sending real-time images recorded with the device's internal camera, web pages searched for on the device or cloud files in a file-sharing application to the projector. (Requires the optional wireless LAN module, NP05LM.)



### Virtual Remote Tool

The utility software "Virtual Remote Tool" included on the accessory CD-ROM enables display of a Virtual Remote screen (or toolbar) on your computer screen. This helps you to switch the projector's power on or off and select signals from the computer cable (VGA), serial cable, or LAN connection.



Virtual remote screen

### NaViSet Administrator 2

This software is an all-in-one remote support solution that runs from a central location and provides monitoring, asset management and control functionality of the majority of NEC display devices and Windows computers. It is ideal for multi-device installations over larger infrastructures.



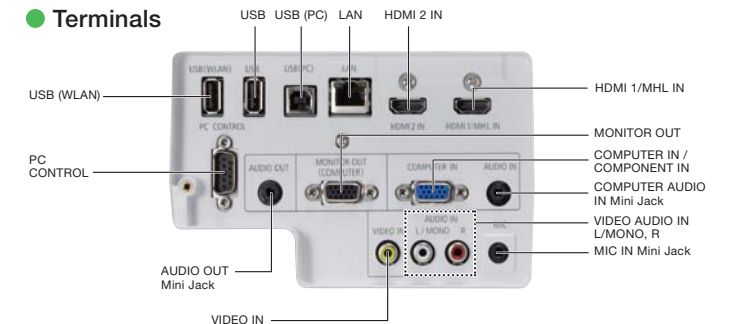
NaViSet Administrator 2

### Other Advanced Capabilities

- Simple access point
- PC Control Utility 4.0 for Windows
- PC Control Utility 5.0 for Mac
- Crestron RoomView™ with emergency function
- AMX BEACON
- HTTP server
- PJLink

## Other Useful Features and Functions

- Powerful 20-watt speaker provides volume needed for large rooms
- Auto power on via the RGB (15-pin) or HDMI input connector when a signal is detected from a computer
- Sleep timer can be set to automatically turn off the projector at set countdown times
- Power management enables projector to automatically turn off when an incoming signal is not detected from any of the inputs
- No signal guidance for easy cable connections
- Plug and play intuitive setup and operation
- Built-in H/V keystone, pincion, and cornerstone correction
- Includes a remote with a control ID registration function, which allows operation of multiple projectors with a single remote control
- Wall Color Correction for vivid images even without a screen
- DICOM simulation
- Security bar / Kensington lock / control panel lock and password lock
- Low power consumption (less than 0.4 W in 240 V AC stand-by mode) minimizes energy costs
- The carbon meter lets you check the amount of CO2 you reduced by using ECO mode



**UM351W**

3,500 ANSI lumens WXGA 5.6 kg

**UM301W**

3,000 ANSI lumens WXGA 5.5 kg

**UM361X**

3,600 ANSI lumens XGA 5.6 kg

**UM301X**

3,000 ANSI lumens XGA 5.5 kg

